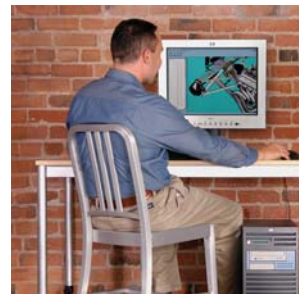


HP Designjet 4000 Printer series



Powered by the new HP Double Swath technology, the HP Designjet 4000 Printer series offers high-speed color and black-and-white printing up to 42 inches wide, complete with outstanding line accuracy, image quality, and remote printer management.



Double your print capacity ⁽¹⁾

- **HP Double Swath technology - twice the performance in color and black & white.** With two long-life HP printheads for each color, get a wider print swath and a higher firing frequency that enables fast printing. Get 2 D/A1-size prints in color & black-and-white in less than 1 minute ⁽²⁾. The embedded processor delivers fast, simultaneous processing and printing up to 100 D/A1-size prints per hour ⁽³⁾. Quickly incorporate last-minute changes to meet even your toughest deadlines.
- **Fast, simultaneous processing and printing.** Experience fast, simultaneous processing and printing thanks to the embedded processor. This robust series comes equipped with 256 MB of memory that can be expanded up to 512 MB for excellent performance on even your most complex jobs.
- **Driverless multi-file printing.** Save time with the driverless multi-file printing workflow, that is operating system independent and simply requires a TCP/IP connection and a standard Web browser. Experience support for a wide range of formats, including TIFF, JPEG, CALS/G4, HP-RTL, and HP-GL/2, Adobe® PostScript level 3 and PDF 1.5 ⁽⁴⁾ to help you quickly and accurately finish any job.

Superior lines and images

- **High image quality and line accuracy up to 0.1 percent.** Patented HP inks and sophisticated HP printhead technology support small drop sizes. With up to 2400x1200 dpi, and using HP supplies, get outstanding image quality with thin, continuous and accurate color lines, and excellent photos and renders with more details in shadows.
- **HP Professional Color.** Get excellent color consistency and screen-to-print matching with HP Professional Color technologies, including enhanced sRGB printing and AdobeRGB, Closed Loop Color (CLC), TIFF and JPEG with embedded ICC profiles, and enhanced graphic features in the PostScript unit.
- **Flexible support for a wide range of media.** Support from plain paper to a wide range of specialty media, including canvas and glossy, up to 42 inches/1067mm wide. Giving you the versatility you need, this series accommodates rolls up to 300 ft/ 90 m, comes equipped with a standard bin that holds 50 E/A0-size prints, and has a manual sheet feed that supports sizes starting from B/A3-sized media.

Remote printer management

- **HP Embedded Web Server.** Use HP Embedded Web Server to remotely manage printer, ink & media usage. Gain complete remote control over all consumables. Reset print job priorities at any stage to save time, get driverless multi-file submission to increase productivity, re-print stored jobs, preview print jobs to avoid surprises, view and save accounting information to monitor ink & media consumption, send service print screens to HP for quick troubleshooting, preview supplies & printer status, and get error notifications.
- **HP Web Jetadmin software - provides easy printer administration.** HP Web Jetadmin plug-in for the HP Designjet 4000 Printer series gives network managers a single support tool to install, configure, monitor, and troubleshoot a wide range of network-connected devices. Accessible from any standard Web browser, this software offers an intuitive interface and provides optimum convenience.
- **HP Smart printing technology ⁽⁵⁾.** HP Smart printing technology, in HP supplies and in the printer, enables automatic alerts for timely cartridge replacement. Remote diagnostics, job tracking and accounting help you to stay proactive and productive. Additionally, HP Smart printing technology confirms that genuine HP print cartridges have been installed correctly.

HP Designjet reliability

- **Minimize support costs and maximize uptime.** Depend on the world-renowned reliability of HP printers and printing supplies to minimize support costs and maximize uptime. Feel confident about your investment with free e-Support, HP Instant Support for self-troubleshooting, HP Active Phone for easier diagnosis, customer forums, real-time firmware upgrades, driver updates, extended warranty, and post-warranty service options.

⁽¹⁾ Compared to any HP Designjet 600/700/800/1000 Printer series

⁽²⁾ Mechanical printing time. Printed in Fast mode on HP Bright White Inkjet Paper (Bond). Speed indicated is maximum printer speed.

⁽³⁾ Multi-copy printing. Printed in Fast mode on HP Bright White Inkjet Paper (Bond). Speed indicated is maximum printer speed.

⁽⁴⁾ Only HP Designjet 4000ps Printer supports Adobe® PostScript level 3 and PDF 1.5.

⁽⁵⁾ Using genuine HP supplies ensures availability of all HP printing features.



HP Designjet 4000 Printer series

1. Ink supplies of 225 and 400cc for CMY, 400cc for K.

2. Accommodates media rolls up to 300 ft/90 meters. It also has a manual sheet feed that supports sizes starting from B-size/A3.

3. Front panel with user friendly animations.

4. Color consistency and screen-to-print matching with HP Professional Color technologies.

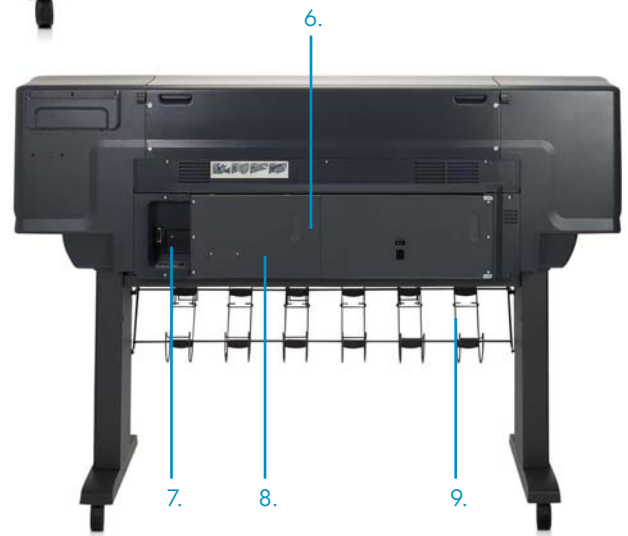
5. Pairs of staggered printheads in the carriage mean the HP Designjet 4000 Printer series has double the print capacity of earlier models.

6. HP Embedded Web server for driverless file submission, queue management, preview, supplies and printer status and error notification.

7. HP Embedded Jetdirect Print Server 10/100BT + 2 IEEE1394 (FireWire) ports.

8. Embedded processor for simultaneous printing and processing. 256 MB memory expandable to 512 MB and 40 GB hard disk.

9. Equipped with a standard bin that holds 50 E/A0-size prints.



HP Designjet 4000 Printer series at a glance

HP Designjet 4000 Printer

- Up to 42"/1067 mm wide
- 2400 x1200 dpi maximum resolution
- Rolls up to 300ft/90m long
- Ink supplies of 225 & 400cc for CMY, 400cc for K
- Embedded processor and 256 MB memory expandable up to 512 MB. 40 GB hard disk
- Support for HP-GL/2, HP RTL, TIFF, JPEG, CALS G4

Optional accessories

- HP Jetdirect 40d Gigabit Print server
- HP Designjet Roll Feed Spindle 42"/1067 mm
- High Speed USB 2.0 card
- 256 MB memory upgrade
- HP Jetdirect 620n LAN card

HP Designjet 4000ps Printer

All the features of the 4000 model, plus:

- Embedded RIP for Adobe® PostScript Level 3 and Adobe® PDF 1.5

Optional service and support

- HP Installation Service (1 unit)
- HP Network Installation Service (1 unit)
- HP Next Business Day Onsite Hardware Support, 3 years
- HP 4 hour response 9x5 Onsite Hardware Support, 3 years
- HP 4 hour response 13x5 Onsite Hardware Support - onsite in 4 hours, 3 years
- HP Next Business Day Onsite Hardware Support, 1 year post warranty
- HP 4 hour response 9x5 Same-Day Onsite Hardware Support, 1 year post warranty
- HP 4 hour response 13x5 Onsite Hardware Support, 1 year post warranty

"Thanks to the HP Designjet 4000 Printer's high speed, professional image quality and reliability, we have gained valuable time and capacity, allowing us to advance numerous projects at the same time, ensuring their successful completion."

Jordi Carbonell
CAD Designer, Tusquets, Díaz Asociados

HP Double Swath Technology

Pairs of staggered printheads in the carriage double the print swath of the HP Designjet 4000 Printer series resulting in twice the performance of earlier Designjet models.

The print swaths overlap each other with 24 nozzles. The nozzles printing in the same scan line (top and bottom printheads) are used together to eliminate swath-to-swath banding. With 1048 nozzles per color, this printer fires an impressive 36,000 drops per second per nozzle.

The printer has been designed to make automatic print mode adjustments if necessary, this ensures consistent image quality print after print. In order to maintain media advance accuracy, at the increased printing speeds, improvements have been made to keep the media tension constant, regardless of the friction conditions.

Related technologies to HP Double Swath Technology, such as the new vacuum system with dual control and high-precision media advance, ensure fast print speeds without compromising on image quality and line accuracy.

HP Embedded Web server

The HP Embedded Web server enables remote printer management using an ordinary web browser. Increase your productivity and cost efficiency:

- preview jobs before printing
- re-print stored jobs at the touch of a button
- remotely re-set your print job priorities at any time
- submit multiple files for printing in one go
- view and save accounting information on printheads, ink and media usage.

HP Professional Color technologies

Get the right colors on the first print. No more trial and error. Get superior color consistency: print-to-screen color matching, print-to-print color consistency and accurate application color palette reproduction. Get excellent grays: improved gray neutrality and more grayscale levels. The HP Designjet 4000 Printer series includes the latest HP Professional Color technologies:

- Enhanced sRGB printing and AdobeRGB.
- Closed Loop Color (CLC)
- TIFF and JPEG with embedded ICC profiles
- Enhanced graphic features: Pantone calibration*, offset emulation, HP CMYK plus and Black Point compensation.

* Only available on the HP Designjet 4000ps Printer



HP Designjet 4000 Printer series

Technical specifications

Print speed	25 sec D/A1-size (1), 93 sqm/hour (2), 1000 sqft/hour (2)
Resolution, maximum	Up to 2400 x 1200
Line accuracy	0.1 percent
Print margins	
Top	0.45in/11.5mm (Normal); 2.1in/55mm (Extended)
Bottom	0.2in/5mm (Roll); 0.98in/25mm (Sheet Normal); 2.1in/55mm (Sheet Extended)
Side	0.2in/5mm (Normal); 0.6in/15mm (Extended)
Memory	256 MB (upgradeable to 512 MB), 40 GB hard disk
Media	
Handling	Manual single-sheet feed, manual roll feed, automatic cutter
Types	Paper (plain, inkjet, coated, heavyweight coated, super heavyweight coated, semi-gloss, glossy, translucent bond, natural tracing, photo, vellum), film, canvas
Thickness (by paper path)	All paths: 0.0018 up to 0.0175 in/0.046 up to 0.450 mm
Weight (by paper path)	All paths: 0.11 up to 0.77 lb/50 up to 350 g/m ²
Size	Sheets and rolls in sizes B, C, D, E and up to 42 in wide/A3, A2, A1, A0 and up to 1067 mm wide
Printing	
Technology	HP Thermal Inkjet
Technology resolution	HP Color Layering technology, PhotoREt III
Print cartridge colors	Black, cyan, magenta, yellow
Ink types	Black Pigmented, CMY dye-based
Ink drop	5.5 pl color, 15 pl black
Connectivity	
Interfaces Standard	Fast Ethernet (10/100 Mbps) (2), FireWire (IEEE-1394a compliant), 1 EIO slot
Interfaces Optional	HP Jetdirect 620n LAN card (2), HP Jetdirect 40d Gigabit Print Server for the HP Designjet 4000 Printer series (2), HP Designjet 4000 Printer series High speed USB 2.0 card
Drivers (included)	HP-GL/2, HP-RTL Windows drivers (NT 4.0 Workstation, NT 4.0 Server, ME, 98, 2000, XP, 2003), ADI driver for AutoCAD R14, support for AutoCAD 200x, Support for Citrix Metaframe environments.
	PS Windows drivers (NT 4.0 Workstation, NT 4.0 Server, ME, 98, 2000, XP, 2003), PS Mac drivers (OS 9.1, 9.2, 10.1, 10.2, 10.3)
Print languages (standard)	
HP Designjet 4000	HP-GL/2, HP-RTL, TIFF, JPEG, CALS-G4
HP Designjet 4000ps	Adobe® PostScript Level 3, Adobe® PDF 1.5, HP-GL/2, HP-RTL, TIFF, JPEG, CALS-G4
Dimensions (w x d x h)	
Maximum	76 x 31.5 x 53.2 in (1930 x 800 x 1350 mm)
Shipping	83.9 x 28 x 47.8 in (2130 x 710 x 1215 mm)
Weight	
Printer	253 lb (115 kg)
Shipping	387.8 lb (175.9 kg)
What's in the box	
HP Designjet 4000 Printer	HP Designjet 4000 Printer, Stand & Bin, Setup Poster, User's Documentation CD, software setup for Windows & Mac CD, Quick Reference Guide and Holder, Media sample, Maintenance Kit, Power Cord, 3-inch Spindle Adaptor, Printheads (8), Printhead Cleaners (8), Ink Cartridges (4), Customer Service Guide
HP Designjet 4000ps Printer	HP Designjet 4000ps Printer, Stand & Bin, Setup Poster, User's Documentation CD, software setup for Windows & Mac CD, Quick Reference Guide and holder, Media sample, Maintenance Kit, Power Cord, 3-inch Spindle Adaptor, Printheads (8), Printhead Cleaners (8), Ink Cartridges (4), Customer Service Guide, Taiwan PostScript Fonts (for Taiwan localization only).

(1) Mechanical printing time. Printed in Fast mode on HP Bright White Inkjet Paper (Bond). Speed indicated is maximum printer speed.

(2) Multicopy printing. Printed in Fast mode on HP Bright White Inkjet Paper (Bond). Speed indicated is maximum printer speed.

(3) TCP/IP support only

(4) TCP/IP, AppleTalk, DIC/LIC and IPX/SPX protocols

(5) Only supported through the HP Designjet 4000ps Printer

Environmental ranges

Operating temperature	41 to 104° F/ 5 to 40° C
Recommended operating temperature	59 to 86° F/ 15 to 30° C
Storage temperature	-4 to 131° F/ -20 to 55° C
Operating humidity	20 to 80% RH
Recommended humidity	25 to 75% RH

Acoustic

Sound pressure, active	53 dB(A)
Sound pressure, standby	39 dB(A)
Sound power, active	7.0 B(A)
Sound power, standby	5.7 B(A)

Power consumption

Maximum	500 watts
Standby	105 watts

Power requirements

Input voltage 100 to 127/220 to 240 VAC (+/- 10%) auto range,

6/3 amp maximum, 50/60 Hz (+/- 3 Hz)

Power certification

Safety certification	Compliant with IEC 60950, including EU LVD and EN60950, CSA certified for US and Canada, Mexico NYCE, Argentina IRAM, Singapore PSB, Russia VNIIS, Poland EL TEST
Electromagnetic compatibility	Compliant with Class A requirements including EU (EMC Directive), USA (FCC rules), Canada (DoC), Australia (ACA), New Zealand (MoCo), Japan (VCCI), Korea (MIC), Taiwan (BSMI)
Energy Star compliant	Yes

Warranty

One-year next-business-day on-site

Accessories

HP Designjet Roll Feed Spindle 42 inch (Q5675A), HP Jetdirect 40d Gigabit Print Server for the Designjet 4000 Printer series (Q5679A), HP Designjet 4000 Printer series High Speed USB 2.0 card (Q5680A), HP Designjet 4000 Printer series 256 MB Memory Upgrade (Q5673A), HP Jetdirect 620n LAN card (J7934A)

Service and support

Care packs	H7604A/E HP Installation Service (1 unit) H4518A/E HP Network Installation Service (1 unit) H5655A/E HP Next Business Day Onsite Hardware Support, 3 years H2815A/E HP 4 hour response 9x5 Onsite Hardware Support, 3 years H2816A/E HP 4 hour response 13x5 Onsite Hardware Support - onsite in 4 hours, 3 years H4608PA/PE HP Next Business Day Onsite Hardware Support, 1 year post warranty H4934PA/PE HP 4 hour response 9x5 Same-Day Onsite Hardware Support, 1 year post warranty H5730PA/PE HP 4 hour response 13x5 Onsite Hardware Support, 1 year post warranty
------------	--

Energy Star® Energy Star logo® are US registered marks of the United States Environmental Protection Agency. Microsoft and Windows are U.S. registered trademarks of Microsoft Corporation. Adobe® and Adobe® PostScript® 3™ are trademarks of Adobe Systems Incorporated. AutoCAD is a U.S. trademark of Autodesk, Inc. © 2004 Hewlett-Packard Development Company, L.P. The information contained herein is subject to change without notice. The only warranties for HP products and services are set forth in the express warranty statements accompanying such products and services. Nothing herein should be construed as constituting an additional warranty. HP shall not be liable for technical or editorial errors or omissions contained herein.



Ordering information

Product number

Q1273A HP Designjet 4000 Printer
Q1274A HP Designjet 4000ps Printer

Accessories

Q5675A HP Designjet Roll Feed Spindle 42 inch
Q5680A HP Designjet 4000 Printer series High Speed USB 2.0 card
Q5673A HP Designjet 4000 Printer series 256 MB Memory Upgrade

Network and software

Q5679A HP Jetdirect 40d Gigabit Print Server for the Designjet 4000 Printer series
J7934A HP Jetdirect 620n LAN card

Ink supplies

C5054A HP 90 Black Printhead and Cleaner
C5055A HP 90 Cyan Printhead and Cleaner
C5056A HP 90 Magenta Printhead and Cleaner
C5057A HP 90 Yellow Printhead and Cleaner
C5060A HP 90 Cyan Ink Cartridge, 225ml
C5062A HP 90 Magenta Ink Cartridge, 225ml
C5064A HP 90 Yellow Ink Cartridge, 225ml
C5058A HP 90 Black Ink Cartridge, 400ml
C5061A HP 90 Cyan Ink Cartridge, 400ml
C5063A HP 90 Magenta Ink Cartridge, 400ml
C5065A HP 90 Yellow Ink Cartridge, 400ml
C5082A HP 90 Black Ink Cartridges, 400ml, 3-Ink Multipack
C5083A HP 90 Cyan Ink Cartridges, 400ml, 3-Ink Multipack
C5084A HP 90 Magenta Ink Cartridges, 400ml, 3-Ink Multipack
C5085A HP 90 Yellow Ink Cartridges, 400ml, 3-Ink Multipack
C5078A HP 90 Black Printhead/Cleaner & Ink Cartridge, 400ml, Value Pack
C5079A HP 90 Cyan Printhead/Cleaner & Ink Cartridge, 400ml, Value Pack
C5080A HP 90 Magenta PH/Cleaner & Ink Cartridge, 400ml, Value Pack
C5081A HP 90 Yellow Printhead/Cleaner & Ink Cartridge, 400ml, Value Pack

Media

Q1397A HP Universal Inkjet Bond Paper (150 ft x 36 in)(45.7 m x 914 mm)
C1861A HP Bright White Inkjet Bond Paper (150 ft x 36 in)(45.7 m x 914 mm)(NA and LAR only)
C6036A HP Bright White Inkjet Bond Paper (150 ft x 36 in)(45.7 m x 914 mm)(AP and EMEA only)
C6020B HP Coated Paper (150 ft x 36 in)(45.7 m x 914 mm)
C6030C HP Heavyweight Coated Paper (100 ft x 36 in)(30.5 m x 914 mm)
C3868A HP Natural Tracing Paper (150 ft x 36 in)(45.7 m x 914 mm)
C3859A HP Translucent Bond (150 ft x 36 in)(45.7 m x 914 mm)
C3861A HP Vellum (150 ft x 36 in)(45.7 m x 914 mm)
C3875A HP Clear Film (75 ft x 36 in)(22.9 m x 914 mm)(NA, LAR, EMEA, AP only)
51642B HP Matte Film (125 ft x 36 in)(38.1 m x 914 mm)
Q1427A HP Universal High-Gloss Photo Paper (100 ft x 36 in)(30.5 m x 914 mm)
Q1938A HP Productivity Photo Gloss (100 ft x 36 in)(30.5 m x 610 mm)(NA, EMEA, AP only)
Q1943A HP Productivity Photo Semi-Gloss (100 ft x 36 in)(30.5 m x 1067 mm)(NA, EMEA, AP only)
C7946A HP Photo Paper RC Matte (100 ft x 36 in) (30.5 m x 914 mm)(NA, EMEA, AP (excluding JP) only)
C7952A HP Proofing Paper RC Satin (75 ft x 36 in) (22.9 m x 914 mm) (NA, EMEA, AP (excluding JP) only)
Q1421A HP Universal Semi-gloss Photo Paper (100 ft x 36 in) (30.5 m x 914 m)

A complete list of supplies for the HP Designjet 4000 Printer series is available at www.hp.com/go/supplies

For more information visit our website at
www.hp.com/go/designjet4000

